

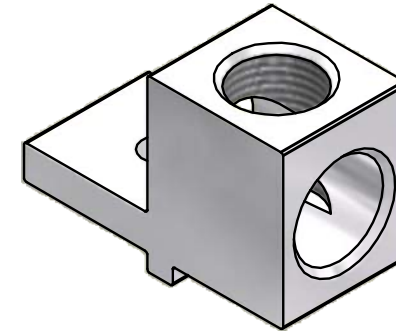
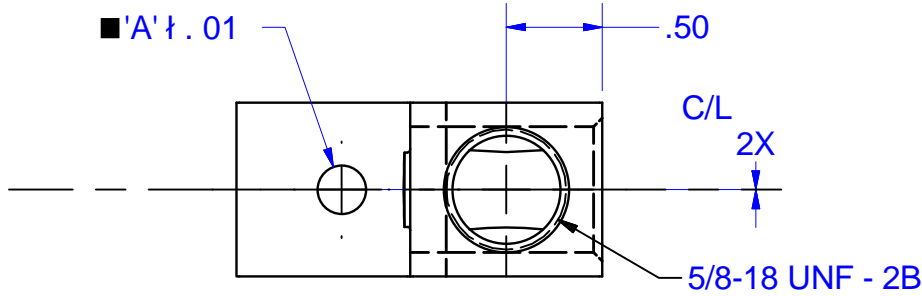
**PART MARKED**

S300  
 300 KCMIL-6  
 CU9AL  
 UL Logo  
 CSA Logo  
 IHI Logo

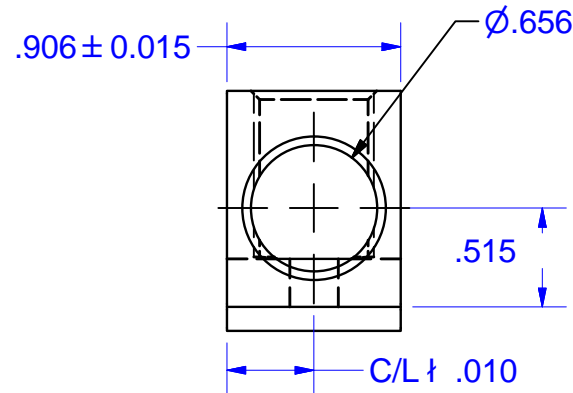
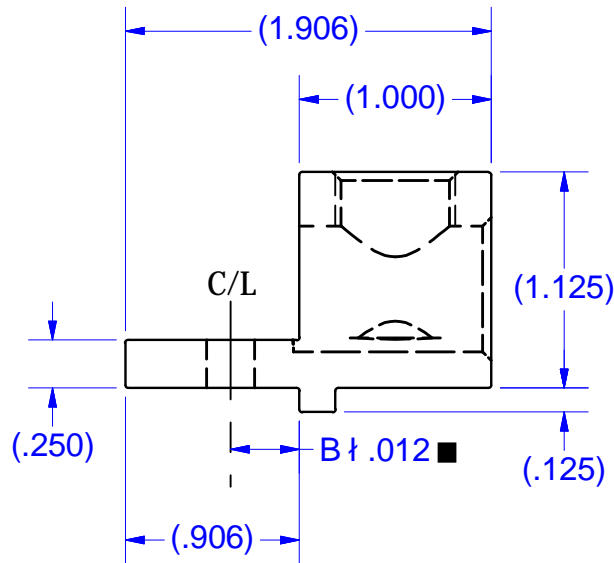
IHI UL/CSA Installation Guide to Drill or Enlarge Mounting Holes:  
<https://lugsdirect.com/PDF%20Documents/IHI-MTG-HOLE-FIELD-MODS-UL&CSA-CERTIFICATIONS.pdf>

REV	DESCRIPTION	DATE	BY
1	MADE INTO CHARTED PRINT	3/21/2016	DJH

- Cat. No. S300 Style No. ALL  
 ■ Drill, Enlarge, or Modify Mounting Holes  
 1) Increase hole(s) dia. to 1/2 bolt (17/32 drill dia.)  
 2) Move location of mounting hole(s)  
 3) If buying blank lug, put custom hole(s) in.



INSTALL 1Pc  
 14237 3/8" HEX  
 SKT SCREW,  
 FULLY SEATED



FLEX WIRE 4/0-6 AWG

NOT FOR USE WHERE FAILURE CREATES A HAZARD TO HUMAN HEALTH OR SAFETY. ALL PRODUCTS ARE SUBJECT TO THIS FULL DISCLAIMER: <http://www.ihconnectors.com/disclaimer.html>

FOR FURTHER INFORMATION ON THE PROPER USE OF THIS PRODUCT IN SPECIFIC APPLICATIONS SEE <http://www.ihconnectors.com/GuideToFlexFlexibleFineStrandedWireCableMechanicalLugsFAQ.html>

<http://www.ihconnectors.com/Technical-Data-Installation.htm>

THIS DRAWING AND DESIGN ARE THE PROPERTY OF INTERNATIONAL HYDRAULICS, INC., CLEVELAND, OHIO, AND MAY NOT BE DUPLICATED, USED FOR THE BASIS OF DESIGN OR MANUFACTURE WITHOUT THE WRITTEN PERMISSION OF INTERNATIONAL HYDRAULICS, INC., CLEVELAND, OHIO.		INTERNATIONAL HYDRAULICS, INC.	
GENERAL TOLERANCES +/- .015		TITLE: S300TP-34-51 SALES CUSTOM HOLE TURNPREVENT	
MATERIAL: 6061-T6 (X1063)	SIZE:	DRAWN BY: TDS	DWG NO.: S300-TP-34-51
TIN PLATE: EMS	DATE: 1 /30/17	REV: 1	THIS IS A CAD DRAWING, DO NOT MANUALLY REVISE
FINISH: 1001.1			

Part Body	'A'	'B'	WEG ASSY	WEG QTY
S300-TP-34-51	0.343	.512	---	--