

IHI UL/CSA Installation Guide to Drill or Enlarge Mounting Holes:

<https://lugsdirect.com/PDF%20Documents/IHI-MTG-HOLE-FIELD-MODS-UL&CSA-CERTIFICATIONS.pdf>

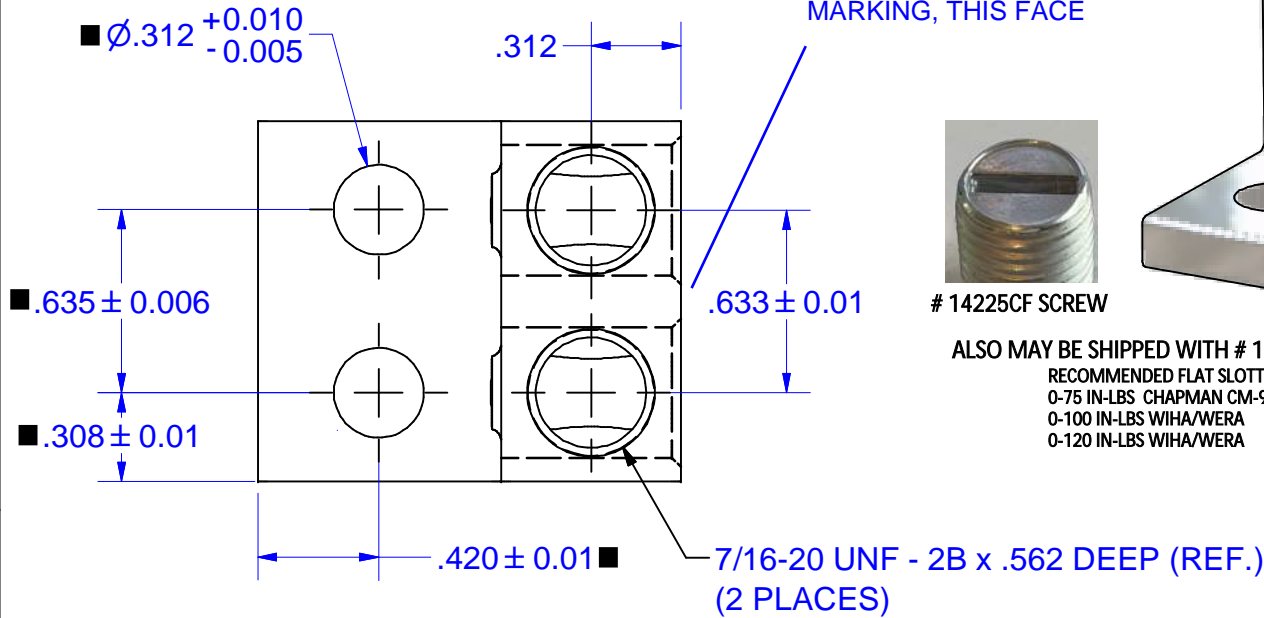
Cat No. 2S2/0 Style No. 3

- Drill, Enlarge, or Modify Mounting Holes
- 1) Increase hole(s) dia. to 7/16 bolt
- 2) Move location of mounting hole(s)
- 3) If buying blank lug, put custom hole(s) in.

Shipped with regular slotted screw or TUFF SLOT™ closed slot which guides driver bit for rapid assembly (subject to availability).

TUFF SLOT™ is a trademark of IHI Connectors®

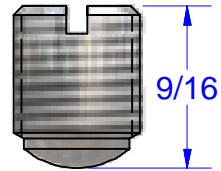
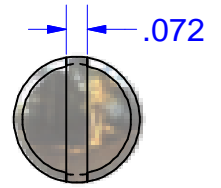
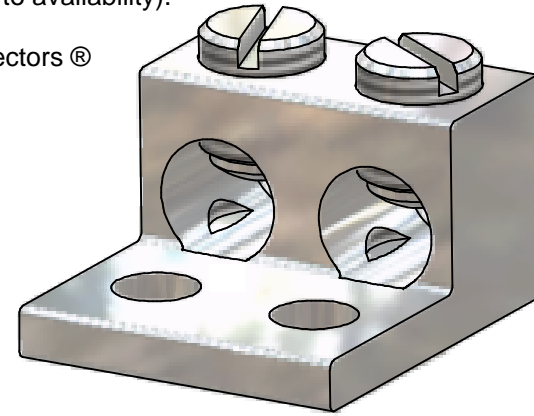
FLEX WIRE 1/0-14 AWG



14225CF SCREW

ALSO MAY BE SHIPPED WITH # 14225CF SCREW (CLOSED SLOT)

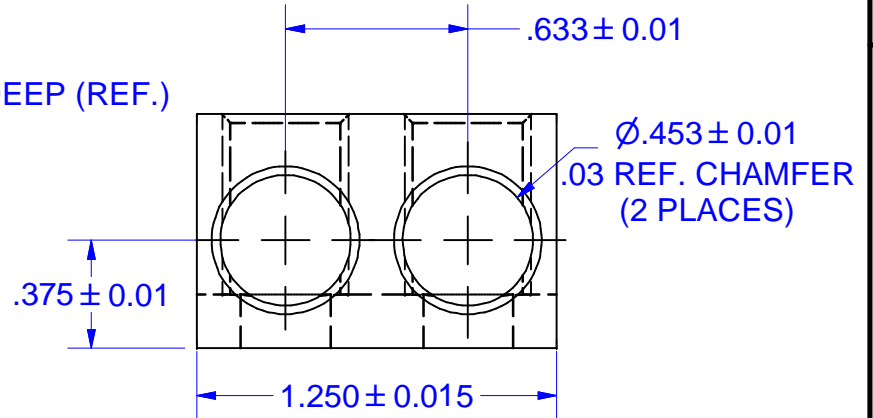
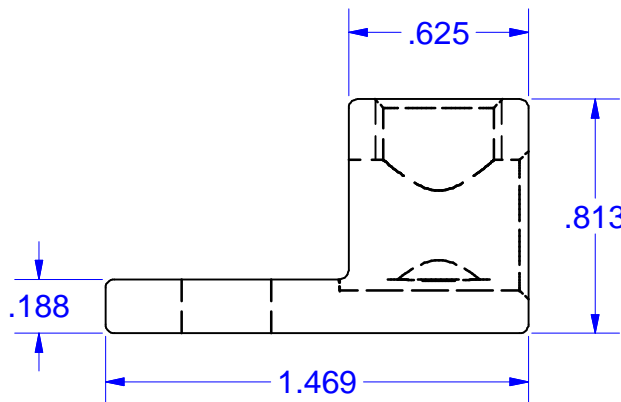
- RECOMMENDED FLAT SLOTTED DRIVER BITS
- 0-75 IN-LBS CHAPMAN CM-96 8.3MM X 1.0MM BITS
 - 0-100 IN-LBS WIHA/WERA 8.0MM X 1.2MM BITS
 - 0-120 IN-LBS WIHA/WERA 8.0MM X 1.6MM BITS



SCREW#14225 (ALUMINUM TIN PLATED)

7/16-20 UNF-2B SLOTTED ASSEMBLE SCREW SNUG TO BOTTOM 5-15in.-lbs.

■ Part is mounted with customer supplied (2 sets) 1/4" minimum grade 2 bolts, nuts and (2) washer or (2 sets) M6 grade 8.8 bolts, nuts, and (2) washers, using the same typical tightening torque of 66in-lbs or 7.5 N-M. Zinc plated, non lubricated hardware. M7 hardware sets may also be used.



MARKING: IHI, 2S2/0, UL, CU9AL, 2.0-14, CSA

NOT FOR USE WHERE FAILURE CREATES A HAZARD TO HUMAN HEALTH OR SAFETY. ALL PRODUCTS ARE SUBJECT TO THIS FULL DISCLAIMER: <http://www.ihiconnectors.com/disclaimer.html>

FOR FURTHER INFORMATION ON THE PROPER USE OF THIS PRODUCT IN SPECIFIC APPLICATIONS SEE <http://www.ihiconnectors.com/GuideToFlexFlexibleFineStrandedWireCableMechanicalLugsFAQ.html>

<http://www.ihiconnectors.com/Technical-Data-Installation.htm>

THIS DRAWING AND DESIGN ARE THE PROPERTY OF INTERNATIONAL HYDRAULICS, INC., CLEVELAND, OHIO, AND MAY NOT BE DUPLICATED, USED FOR THE BASIS OF DESIGN OR MANUFACTURE WITHOUT THE WRITTEN PERMISSION OF INTERNATIONAL HYDRAULICS, INC., CLEVELAND, OHIO.		INTERNATIONAL HYDRAULICS, INC.		
GENERAL TOLERANCES ±.015 (±0.038)		TITLE: 2S2/0-31-42 CONNECTOR		
MATERIAL: 6061-T6 (1075)	SIZE:	DRAWN BY: TDS	DWG NO.: 2S2/0-31-42(SALES)	REV: 1
FINISH: TIN PLATE EMS	DATE: 8/20/09	THIS IS A CAD DRAWING, DO NOT MANUALLY REVISE		